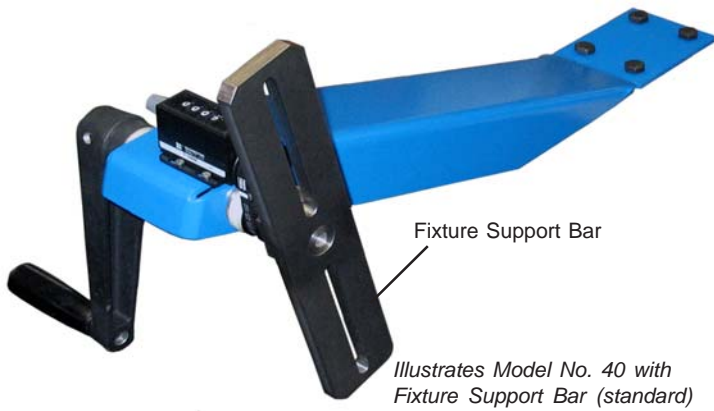


COIL WINDING

BENCH TYPE HAND COIL WINDER

FORM NO. 230

MODEL NO. 40 HANDY WINDER



TYPES WOUND

Typical applications include winding a small quantity of coils for fans, grinders, solenoids, fractional H.P. motors, automobile starters, generators and armatures used by schools and industry. Perfect for making prototype coils.

Optional Equipment

Single and three phase winding heads available

FIXTURE SUPPORT BAR

The support bar for holding the winding fixture has an adjustable slot from 2-1/4" to 7-1/2" lengths.

OPERATION

The winding fixture, mounted to the support bar, is revolved by a hand crank and the wire guided by hand.

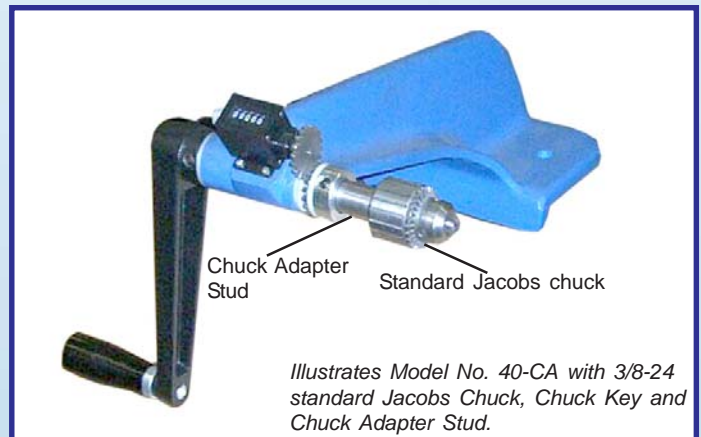
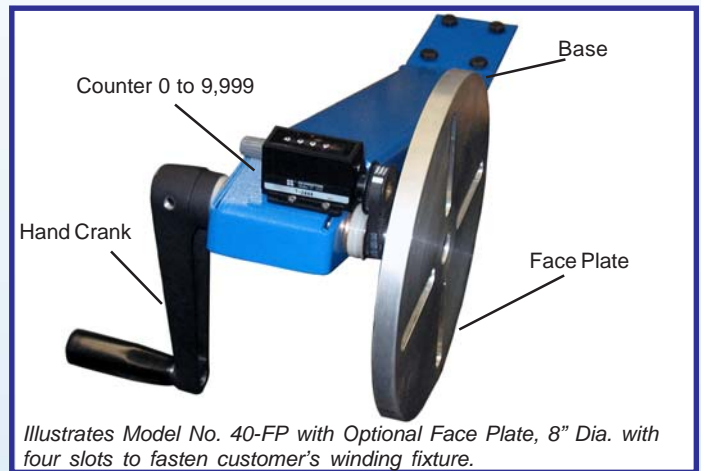
MOUNTING

Cast aluminum alloy base for mounting to a bench.

MECHANICAL COUNTER

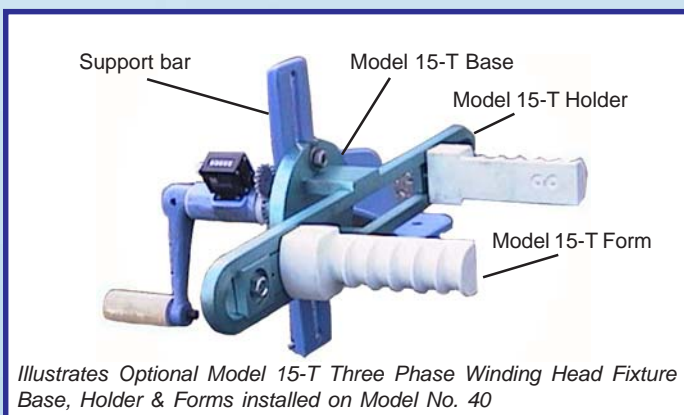
Rotary gear driven 99,999 count counter with quick reset.

OPTIONAL



SPECIFICATIONS

DIMENSIONS	20" L x 9" W x 11" H
NET WEIGHT	7 Lbs.
GROSS WEIGHT	11 Lbs.



ACE EQUIPMENT COMPANY 4725 MANUFACTURING ROAD CLEVELAND, OHIO 216.267.6366 www.armaturecoil.com